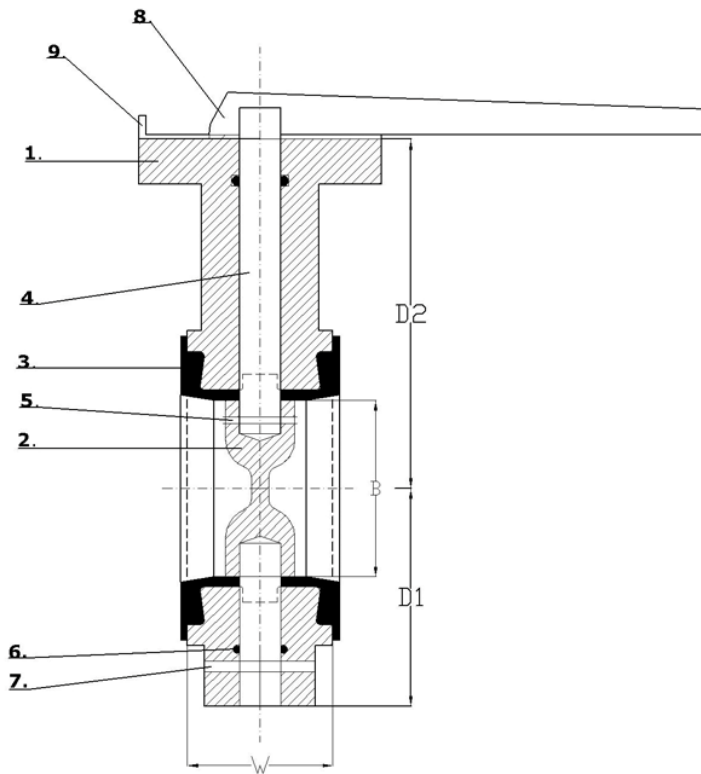


B. H. SMITH & SONS

WORKS & OFFICE: 'PUNIT' Compound, Gandevi Rd., Devsar, Bilimora – 396380, Gujarat, India.
Contact: (O) +91-2634-281881. **Email:** bhsmith@rediffmail.com, bhsmithandsons@gmail.com



| Item No. | Parts |
|----------|-------------|
| 1 | Body |
| 2 | Disc |
| 3 | Seat |
| 4 | Shaft |
| 5 | Taper Pin |
| 6 | O' Ring |
| 7 | Dowel Pin |
| 8 | Handle |
| 9 | Notch Plate |

Dimensions In mm

| Valve Size | B (Ø) ± 2.0 mm | W | D1 | D2 |
|------------|----------------|----|-------|-------|
| 40 | 40 | 33 | 55.5 | 103 |
| 50 | 50 | 42 | 57.5 | 102.5 |
| 65 | 65 | 44 | 71.5 | 108.5 |
| 80 | 80 | 45 | 72.5 | 122 |
| 100 | 100 | 52 | 86 | 138.5 |
| 125 | 125 | 56 | 104.5 | 158.5 |
| 150 | 150 | 56 | 119 | 177 |
| 200 | 200 | 59 | 147 | 201.5 |
| 250 | 250 | 66 | 197 | 251 |
| 300 | 305 | 78 | 220.5 | 277.5 |
| 350 | 337 | 78 | 261.5 | 290 |

Size up to 400 mm Available. Specification available on request

Specifications & dimensions are subject to change without prior notice